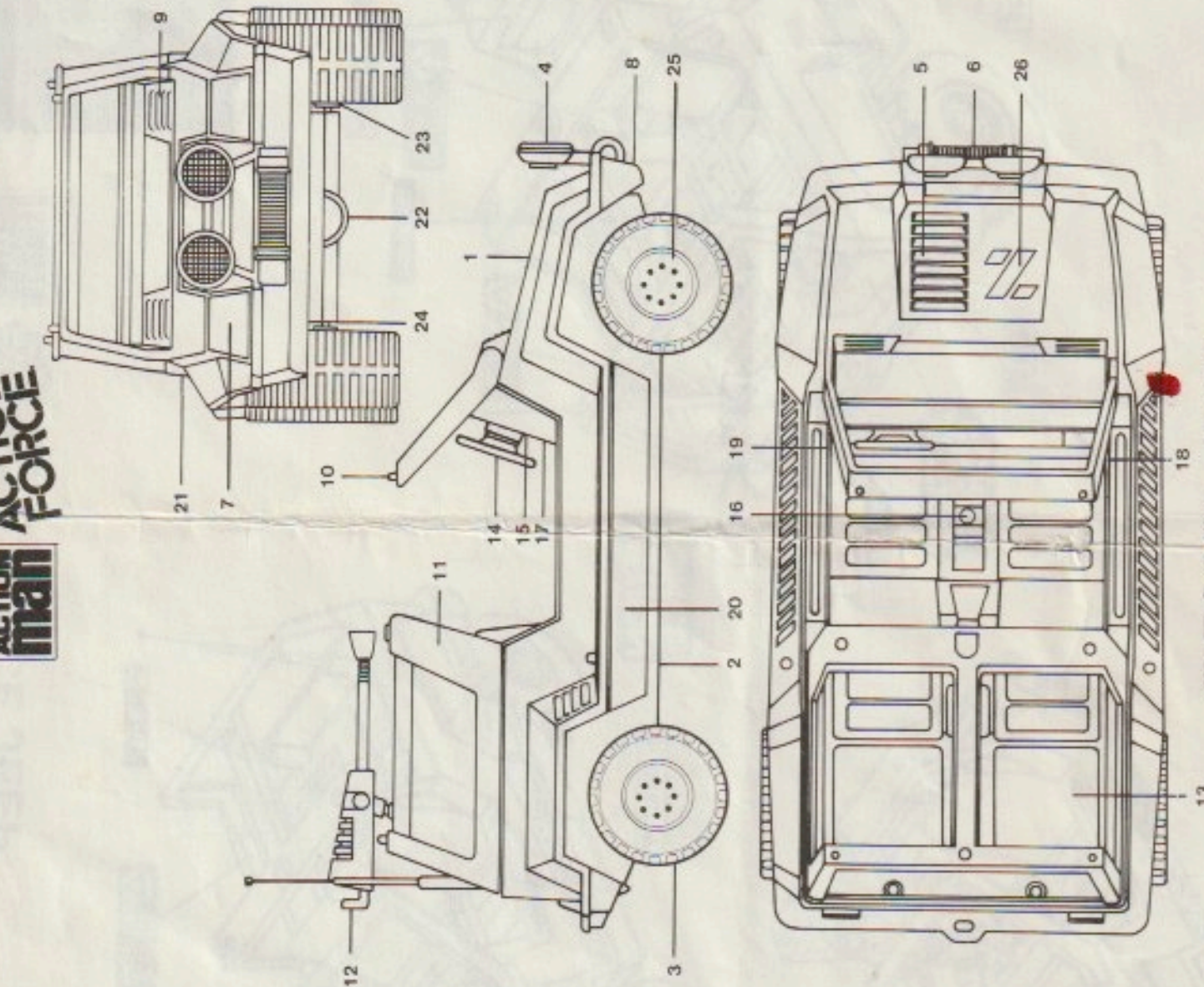


1. METALICO PLASTO-METAL BERRY
2. PRE-STRENGTHENED TENSILE ALLOY CHASSIS
3. SERVO THERMAL STEEL WALLS PILES
4. SERVITRON "BURN-MUST" SPOTLIGHTS
5. SERVITRON "BURN-MUST" SPOTLIGHTS
6. 10 TORQUE STEERING FRONT WHEEL
7. ENGINE ILLUMINATING HEADLIGHTS
8. FRONT RESISTANT BUMPER
9. FRONT GRILLS
10. FOLD DOWN WINDOW FOR CLOSE VISIBILITY DRIVING
11. HIGH TENSILE STEEL BAR
12. BLACK ROCKET 150 MM IN. IN. EN
13. REAR TRAP/JARVINE COMPARTMENT
14. POWER ASSISTED STEERING WHEEL
15. BATTERY
16. 2000 RPM WINDUP ENGINE FOR CLOSE VISIBILITY DRIVING
17. MAJOR 6 CYLINDER ENGINE
18. AMMUNITION HOLDER
19. EMERGENCY SUPPLY HOLDER
20. WEAPONS STORAGE
21. WEAPONS STORAGE
22. 5.7 LITRE IN. IN. EN
23. RANGE 700 MILLS. TOP SPEED 100 MPH
24. 4 WHEEL STEERING ASSISTED BRAKES
25. 4 WHEEL STEERING ASSISTED SUSPENSION
26. 2 FORCE POWER ENGINE

1. CARROZIERIA INFORCATA IN METALLO BERRY
2. CHASSIS IN ALLIAGE DE TENDRETE PRESTRENGE
3. PILES A FLAMES EN ACIER POUR THERMA ACCIDENTE
4. "BURN-MUST" SPOTLIGHTS
5. "BURN-MUST" SPOTLIGHTS
6. 10 TORQUE STEERING FRONT WHEEL
7. ENGINE ILLUMINATING HEADLIGHTS
8. FRONT RESISTANT BUMPER
9. FRONT GRILLS
10. FOLD DOWN WINDOW FOR CLOSE VISIBILITY DRIVING
11. HIGH TENSILE STEEL BAR
12. BLACK ROCKET 150 MM IN. IN. EN
13. REAR TRAP/JARVINE COMPARTMENT
14. POWER ASSISTED STEERING WHEEL
15. BATTERY
16. 2000 RPM WINDUP ENGINE FOR CLOSE VISIBILITY DRIVING
17. MAJOR 6 CYLINDER ENGINE
18. AMMUNITION HOLDER
19. EMERGENCY SUPPLY HOLDER
20. WEAPONS STORAGE
21. WEAPONS STORAGE
22. 5.7 LITRE IN. IN. EN
23. RANGE 700 MILLS. TOP SPEED 100 MPH
24. 4 WHEEL STEERING ASSISTED BRAKES
25. 4 WHEEL STEERING ASSISTED SUSPENSION
26. 2 FORCE POWER ENGINE

1. RESISTENTE PRATISTO-METAL BERRY
2. PRE-STRENGTHENED TENSILE ALLOY CHASSIS
3. SERVO THERMAL STEEL WALLS PILES
4. SERVITRON "BURN-MUST" SPOTLIGHTS
5. SERVITRON "BURN-MUST" SPOTLIGHTS
6. 10 TORQUE STEERING FRONT WHEEL
7. ENGINE ILLUMINATING HEADLIGHTS
8. FRONT RESISTANT BUMPER
9. FRONT GRILLS
10. FOLD DOWN WINDOW FOR CLOSE VISIBILITY DRIVING
11. HIGH TENSILE STEEL BAR
12. BLACK ROCKET 150 MM IN. IN. EN
13. REAR TRAP/JARVINE COMPARTMENT
14. POWER ASSISTED STEERING WHEEL
15. BATTERY
16. 2000 RPM WINDUP ENGINE FOR CLOSE VISIBILITY DRIVING
17. MAJOR 6 CYLINDER ENGINE
18. AMMUNITION HOLDER
19. EMERGENCY SUPPLY HOLDER
20. WEAPONS STORAGE
21. WEAPONS STORAGE
22. 5.7 LITRE IN. IN. EN
23. RANGE 700 MILLS. TOP SPEED 100 MPH
24. 4 WHEEL STEERING ASSISTED BRAKES
25. 4 WHEEL STEERING ASSISTED SUSPENSION
26. 2 FORCE POWER ENGINE



**Z FORCE JEEP**

1. CARROZIERIA PLASTO-METALICA BERRY
2. TELAIO IN LEGH D'ACCIAIO AL TENDRETE
3. SERVO THERMAL STEEL WALLS PILES
4. SERVITRON "BURN-MUST" SPOTLIGHTS
5. SERVITRON "BURN-MUST" SPOTLIGHTS
6. 10 TORQUE STEERING FRONT WHEEL
7. ENGINE ILLUMINATING HEADLIGHTS
8. FRONT RESISTANT BUMPER
9. FRONT GRILLS
10. FOLD DOWN WINDOW FOR CLOSE VISIBILITY DRIVING
11. HIGH TENSILE STEEL BAR
12. BLACK ROCKET 150 MM IN. IN. EN
13. REAR TRAP/JARVINE COMPARTMENT
14. POWER ASSISTED STEERING WHEEL
15. BATTERY
16. 2000 RPM WINDUP ENGINE FOR CLOSE VISIBILITY DRIVING
17. MAJOR 6 CYLINDER ENGINE
18. AMMUNITION HOLDER
19. EMERGENCY SUPPLY HOLDER
20. WEAPONS STORAGE
21. WEAPONS STORAGE
22. 5.7 LITRE IN. IN. EN
23. RANGE 700 MILLS. TOP SPEED 100 MPH
24. 4 WHEEL STEERING ASSISTED BRAKES
25. 4 WHEEL STEERING ASSISTED SUSPENSION
26. 2 FORCE POWER ENGINE

1. MET KANSTOEF PERISTENTE METALLO BERRY
2. TELAIO IN LEGH D'ACCIAIO AL TENDRETE
3. SERVO THERMAL STEEL WALLS PILES
4. SERVITRON "BURN-MUST" SPOTLIGHTS
5. SERVITRON "BURN-MUST" SPOTLIGHTS
6. 10 TORQUE STEERING FRONT WHEEL
7. ENGINE ILLUMINATING HEADLIGHTS
8. FRONT RESISTANT BUMPER
9. FRONT GRILLS
10. FOLD DOWN WINDOW FOR CLOSE VISIBILITY DRIVING
11. HIGH TENSILE STEEL BAR
12. BLACK ROCKET 150 MM IN. IN. EN
13. REAR TRAP/JARVINE COMPARTMENT
14. POWER ASSISTED STEERING WHEEL
15. BATTERY
16. 2000 RPM WINDUP ENGINE FOR CLOSE VISIBILITY DRIVING
17. MAJOR 6 CYLINDER ENGINE
18. AMMUNITION HOLDER
19. EMERGENCY SUPPLY HOLDER
20. WEAPONS STORAGE
21. WEAPONS STORAGE
22. 5.7 LITRE IN. IN. EN
23. RANGE 700 MILLS. TOP SPEED 100 MPH
24. 4 WHEEL STEERING ASSISTED BRAKES
25. 4 WHEEL STEERING ASSISTED SUSPENSION
26. 2 FORCE POWER ENGINE

1. CARROZIERIA PLASTO-METALICA BERRY
2. CHASSIS IN ALLIAGE DE TENDRETE PRESTRENGE
3. PILES A FLAMES EN ACIER POUR THERMA ACCIDENTE
4. "BURN-MUST" SPOTLIGHTS
5. "BURN-MUST" SPOTLIGHTS
6. 10 TORQUE STEERING FRONT WHEEL
7. ENGINE ILLUMINATING HEADLIGHTS
8. FRONT RESISTANT BUMPER
9. FRONT GRILLS
10. FOLD DOWN WINDOW FOR CLOSE VISIBILITY DRIVING
11. HIGH TENSILE STEEL BAR
12. BLACK ROCKET 150 MM IN. IN. EN
13. REAR TRAP/JARVINE COMPARTMENT
14. POWER ASSISTED STEERING WHEEL
15. BATTERY
16. 2000 RPM WINDUP ENGINE FOR CLOSE VISIBILITY DRIVING
17. MAJOR 6 CYLINDER ENGINE
18. AMMUNITION HOLDER
19. EMERGENCY SUPPLY HOLDER
20. WEAPONS STORAGE
21. WEAPONS STORAGE
22. 5.7 LITRE IN. IN. EN
23. RANGE 700 MILLS. TOP SPEED 100 MPH
24. 4 WHEEL STEERING ASSISTED BRAKES
25. 4 WHEEL STEERING ASSISTED SUSPENSION
26. 2 FORCE POWER ENGINE